

# iPod® Solutions

Ref. No. BRS-110099M

Pub Date 01/2011



*Now it's easy to enjoy your favorite iPod® or iPhone™ music and video on your aircraft's Cabin Management System.*

The Apple iPod and iPhone have become synonymous with portable, personal entertainment. Now with the introduction of Rockwell Collins' business jet iPod solutions, you can enjoy all of your favorite entertainment seamlessly integrated on your aircraft.

Simply plug your iPod into the docking cable and transform your in-flight experience. Listen to music on the cabin speakers or on headphones. Watch movies on the cabin displays. These innovative

iPod solutions enable you to enjoy all the content on your iPod and are the perfect complement to your aircraft's Cabin Management System (CMS).

#### KEY FEATURES

- ▶ Apple licensed and approved
- ▶ Authentication of iPod video output to the CMS
- ▶ Full access to iPod's menu and routing of its content to the CMS audio and video system
- ▶ Charges iPod while docked



**Rockwell  
Collins**

Building trust every day

## A SYSTEM THAT'S AS FLEXIBLE AS YOUR IPOD.

Rockwell Collins' iPod solutions are compliant with Apple's "Made for iPod" and "Works with iPhone" programs, ensuring the full functionality of your compatible iPod. These highly scalable iPod solutions can be installed in a variety of configurations based on your cabin requirements. The Electronic Control Module (ECM) connects and controls the interface from the iPod to the aircraft's Cabin Management System (CMS). It authenticates the iPod and charges its battery at the same time so your entertainment keeps going long after the flight ends. In addition to the ECM, you can select any combination of a docking cradle, cables, bezel assemblies and jack panels to customize the docking solution that best fits the cabin layout. Once installed, simply attach the iPod to the docking cable, control it from your seat, and enjoy its music and video content from your cabin's speaker and video system.

**ECM** – The ECM provides the interface between the iPod and CMS. Each ECM can authenticate and charge up to two iPods.

**Docking Cradle** – The docking cradle provides a docking station for various iPod devices while these devices are connected to the ECM.

**Jack Panel** – The jack panel, available in single or dual input, connects the iPod to the ECM. The iPod connects to the jack

panel via the carry-on cable. The ECM connects to the jack panel directly or via a 1.5ft extension cable. Jack panel header ID options are backlit with white light.

**Bezel Assembly** – Removable decorative covers for single and dual jack panels are available in various paint colors and finish type.

**Docking Cable** – The docking cable connects the iPod directly to the ECM. A 3.5 ft and a 5.0 ft cable are available.

**Cable Assembly** – A 2.0 ft or a 3.5 ft carry-on cable connects the iPod to the jack panel.

**Software** – Installation of a system software is required to enable remote control capability through Rockwell Collins' CMS systems.

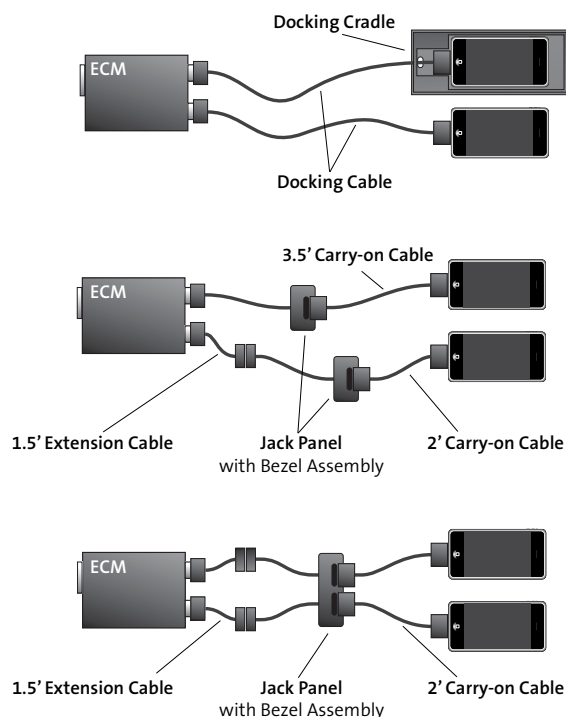
**Grommet Kit** – Cradle grommets replacement kit

**iPod Station Label** – Additional identification labels for the cradle.

## INSTALLATION

Whether it is a new or an aftermarket installation, the flexible architecture of these iPod solutions allows for easy integration into any aircraft. With the installation of the system software you have full access to your iPod's menus and routing of its audio and video via the Rockwell Collins' CMS's touch screen controllers or Programmable Switch Panels that are already in your cabin.

Below are typical installation and cabin layout examples.



### Docking Solution

- One ECM supports up to two iPods
- One docking cable per iPod
  - 3.5' or 5' cable
- Optional cradle per iPod

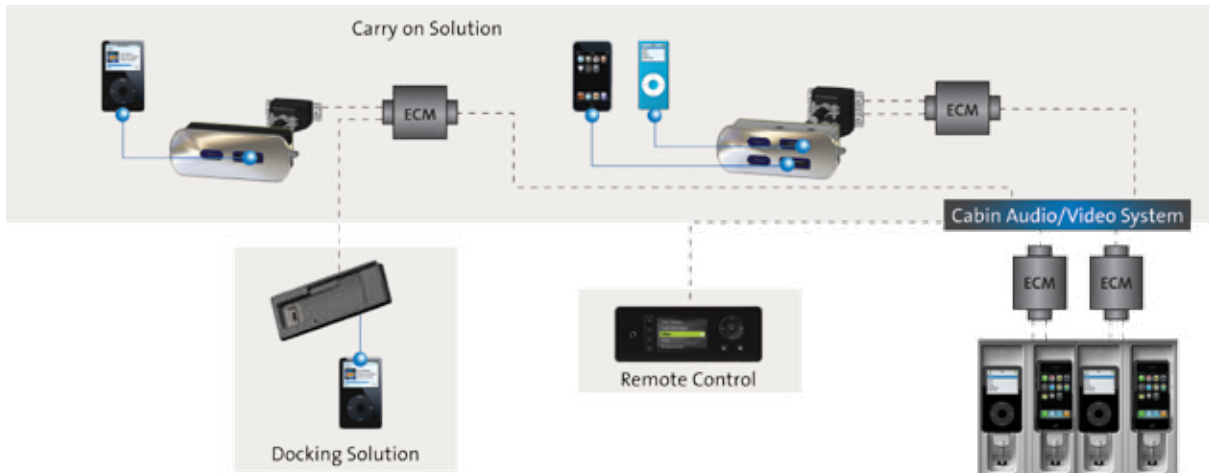
### Single Jack Solution

- One ECM supports up to two iPods
- One Jack Panel per iPod
  - "iPod 1", "iPod 2", "iPod 3" or "iPod 4"
- One Carry-on cable per iPod
  - 2' Cable or 3.5' Cable
- Optional extension cable

### Dual Jack Solution

- One ECM supports up to two iPods
- One Jack Panel per iPod pair
  - "iPod 1-2" or "iPod 3-4"
- One Carry-on cable per iPod
  - 2' Cable or 3.5' Cable
- Optional extension cable

## INSTALLATION (CONTINUED)



## COMPATIBLE DEVICES

Rockwell Collin's iPod solutions are compatible with the following Apple iPod devices (as of the date of this bulletin). As Apple releases updated software or new devices within each product family, it is expected that they will continue to be compatible, however, it cannot be guaranteed:

- iPhone thru 4G
- iPodTouch thru 4G
- iPod Nano 3G thru 6G
- iPod Classic
- iPod 5G with video

The Rockwell Collins iPod solutions do not support older model iPods that lack the 30 pin connector or video output. This would include the original Nano and the Shuffle family of iPods.

## IPOD PRODUCTS

Description	Part Number
ECM	441-0038-100
Cradle	441-0050-100
Docking Cable, 3.5ft	442-0334-001
Docking Cable, 5.0ft	442-0334-002
Carry On Cable, 2ft	442-0226-001
Carry On Cable, 3.5ft	442-0226-002
Cable Assembly, Extension, 1.5ft	442-0268-002
Jack Panel - one outlet, label "iPod"	2501-4-045
Jack Panel - one outlet, label "iPod1"	2501-4-034
Jack Panel - one outlet, label "iPod 2"	2501-4-037
Jack Panel - one outlet, label "iPod 3"	2501-4-038
Jack Panel - one outlet, label "iPod 4"	2501-4-039
Jack Panel - two outlet, label "iPod 1" & "iPod 2"	2501-4-035
Jack Panel - two outlet, label "iPod 3" & "iPod 4"	2501-4-036
Bezel Assembly - Single iPod	2440-130-8XXXX-1
Bezel Assembly - Dual iPod	2440-130-9XXXX-1
iPod Station Label Kit	442-0663-001
Grommet Kit	P29-01001-001
CMS iPod Menu Control Software License- CMS	SW-CMS-IPOD
CMS iPod Menu Control Software License- FCMS	SW-FCMS-IPOD
CMS iPod Menu Control Software License - Venue	SW-VENU-IPOD

## IPOD PACKAGES

A discount price is available when purchasing a bundled iPod solution.

### BASIC CRADLE PACKAGE

Description	Part Number	QTY
ECM	441-0038-100	1
Cradle	441-0050-100	1
Docking Cable (5.0ft)	442-0334-002	1

---

### SINGLE JACK PACKAGE

Description	Part Number	QTY
ECM	441-0038-100	1
Jack Panel "iPod"	2501-4-045	1
Bezel Assembly - Single iPod	2440-130-8XXXX-1	1
Carry-on Cable (3.5ft)	442-0226-002	1

---

### CRADLE AND JACK PACKAGE

Description	Part Number	QTY
ECM	441-0038-100	1
Cradle	441-0050-100	1
Jack Panel "iPod"	2501-4-045	1
Bezel Assembly - Single iPod	2440-130-8XXXX-1	1
Docking Cable (5.0ft)	442-0334-002	1
Carry-on Cable (3.5ft)	442-0226-002	1

---

### CRADLE AND 2 JACK PACKAGE

Description	Part Number	QTY
ECM	441-0038-100	2
Cradle	441-0050-100	1
Jack Panel "iPod 1"	2501-4-034	1
Jack Panel "iPod 2"	2501-4-037	1
Bezel Assembly - Single iPod	2440-130-8XXXX-1	2
Docking Cable (5.0 ft)	442-0334-002	1
Carry-on Cable (3.5 ft)	442-0226-002	2

---

## CERTIFICATION

Rockwell Collins will provide assistance along with DO-160 qualification and certification package to help dealers and installation facilities obtain STC certifications. Contact Rockwell Collins for information on price discounts in consideration of a PMA assist based on a STC installation.

Products can be shipped in the United States with a certificate of conformance letter provided by Rockwell Collins. For international shipments on non-PMA products, the FAA requires that Rockwell Collins obtain from the customer a concession letter (non-PMA acknowledgement) or a FAA / EASA / DGAC conformity request through regulatory agencies.

## TERMS AND CONDITIONS

Unless otherwise noted, programs are valid for orders placed between January 1, 2011 and December 31, 2011, with delivery requested by April 1, 2012. Warranty period for the equipment within this program is three years.

For additional information, please contact your Rockwell Collins Authorized Dealer.

How can we help?

Please call Rockwell Collins Customer Support at 319.295.5000.

Building trust every day.

Rockwell Collins delivers smart communication and aviation electronic solutions to customers worldwide. Backed by a global network of service and support, we stand committed to putting technology and practical innovation to work for you whenever and wherever you need us. In this way, working together, we build trust. Every day.

For more information contact:

Rockwell Collins  
400 Collins Road NE  
Cedar Rapids, Iowa 52498  
319.295.4085  
fax: 319.295.2297  
email: [csmarketing@rockwellcollins.com](mailto:csmarketing@rockwellcollins.com)  
[www.rockwellcollins.com](http://www.rockwellcollins.com)

Made for:

iPod classic, iPod touch, iPod touch 2G, iPod nano 3G, iPod nano 4G, iPod nano 5G, iPhone and iPhone 3G

iPod is a trademark of Apple Inc., registered in the U.S. and other countries.  
iPhone is a trademark of Apple Inc.

01/11 BUS © Copyright 2011, Rockwell Collins, Inc.  
All rights reserved. Printed in the USA.

**Rockwell  
Collins**